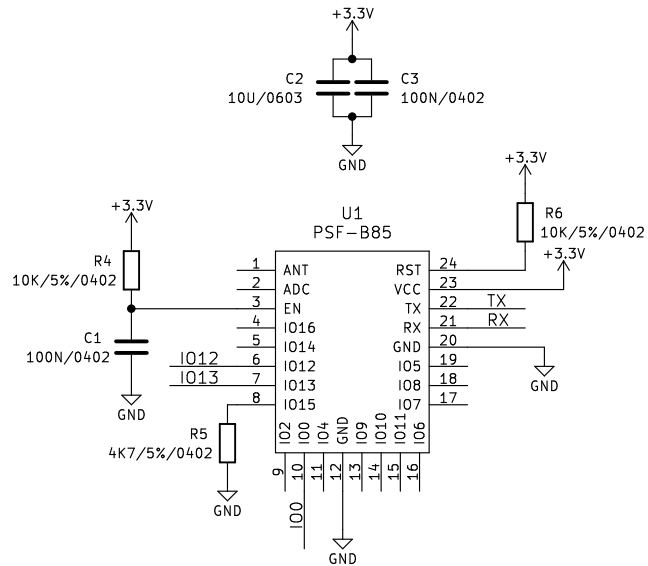
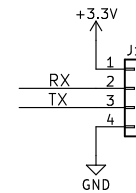


RELAY

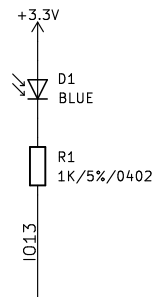


PSF-B85

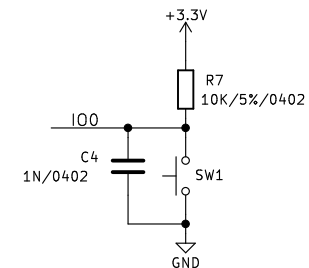


SERIAL PORT

WIFI_STATUS_LED



SWITCH



CoolKit

Sheet: /
File: PSF-B01.sch

Title: PSF-B01

Size: A4 Date: 2017-12-29
KiCad E.D.A. kicad 4.0.7

Rev: V1.0
Id: 1/1