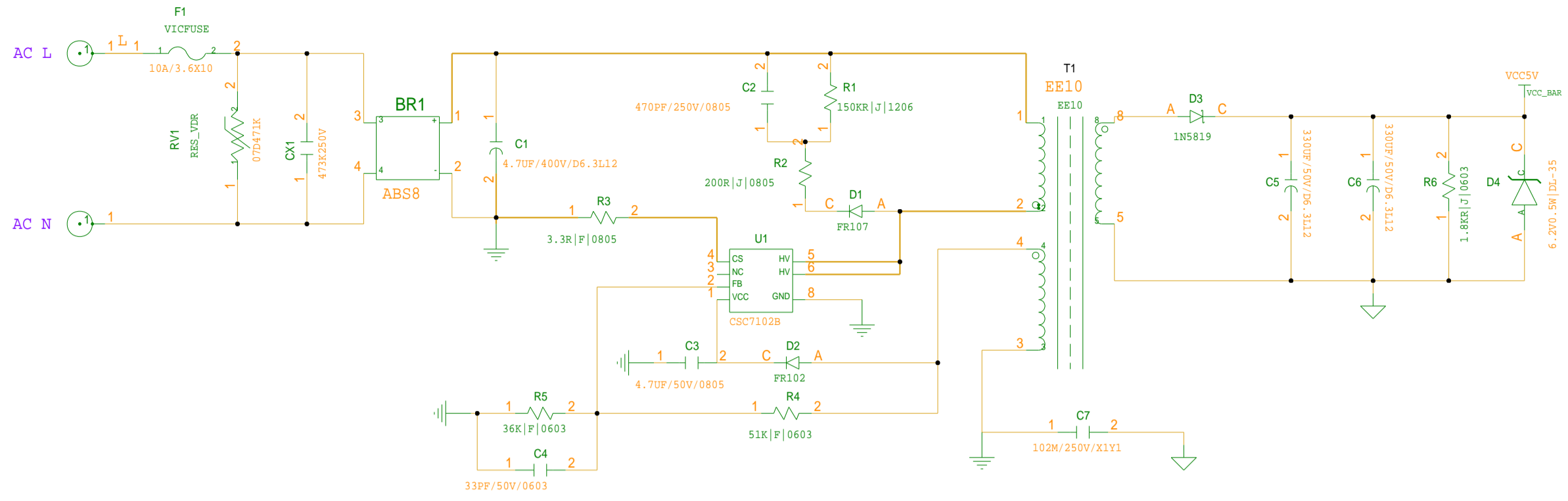
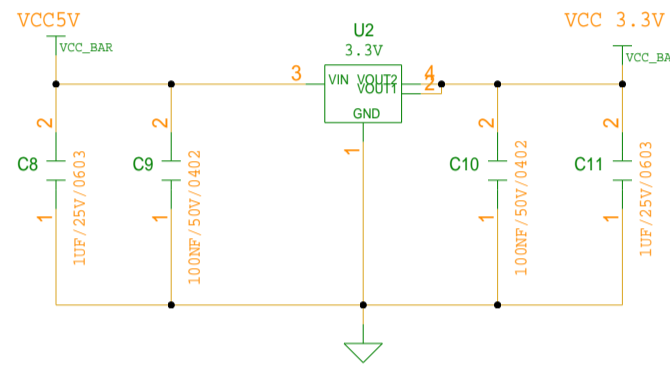


AC TO DC POWER



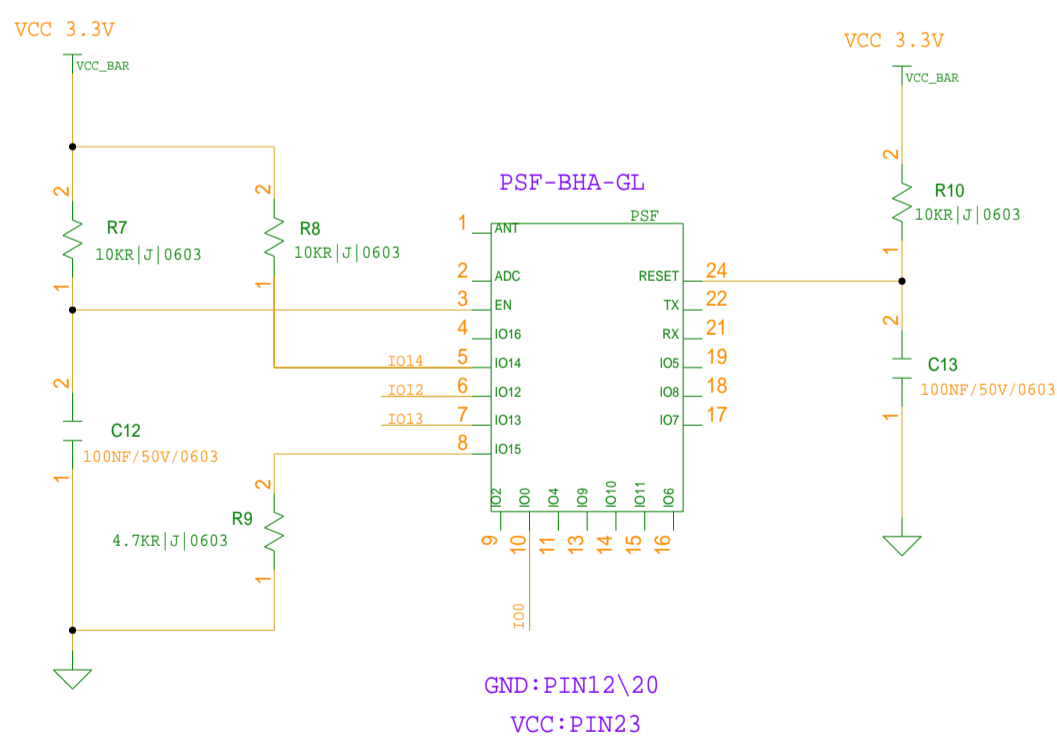
5V TO 3.3V POWER



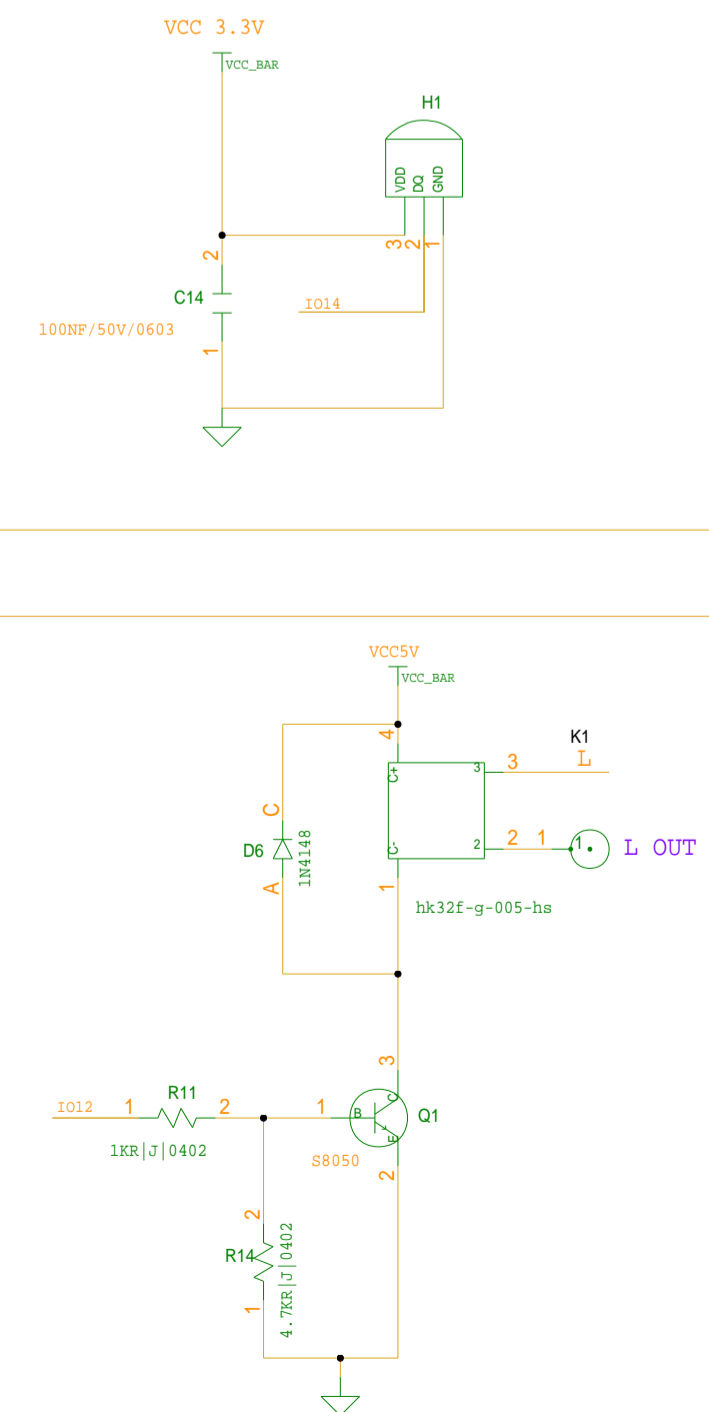
EXPLAIN: F=1%
J=5%

TITLE:	PSF-BHA-GL	DATE:
ENGINEER:		PAGE: 1-2

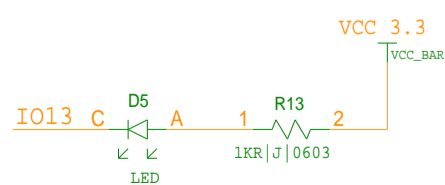
WIFI



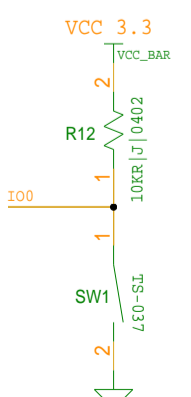
SENSOR



WIFI STATUS LED



SWITCH



EXPLAIN: F=1%
J=5%

TITLE:	PSF-BHA-GL	DATE:
ENGINEER:		PAGE: 2-2